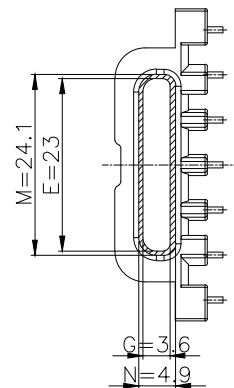
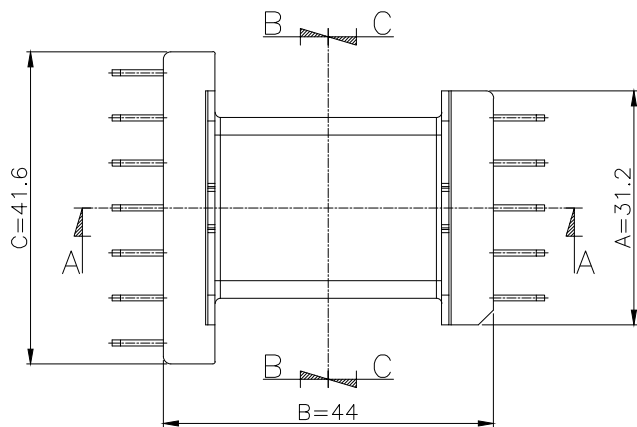
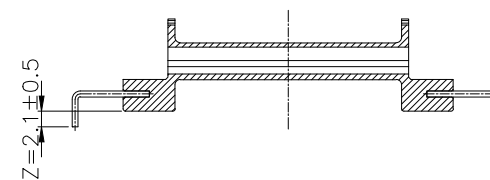
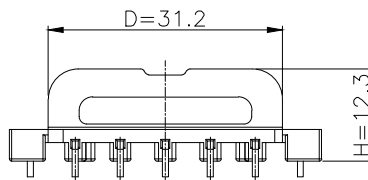
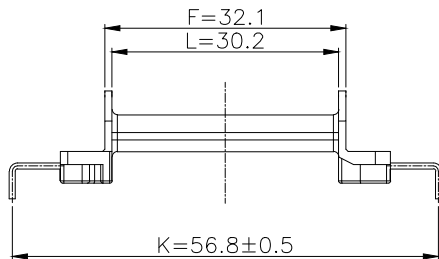
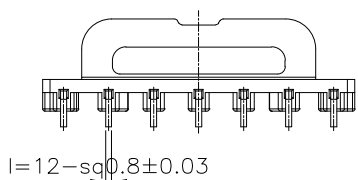
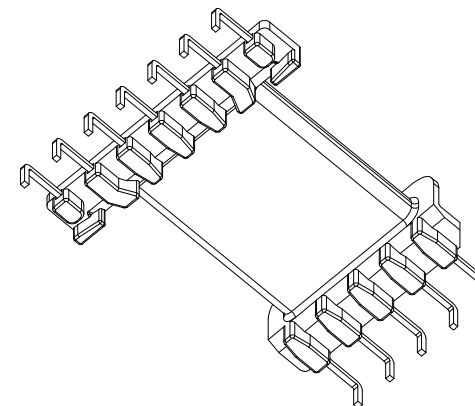


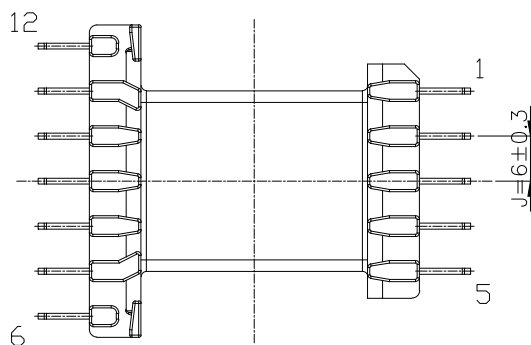
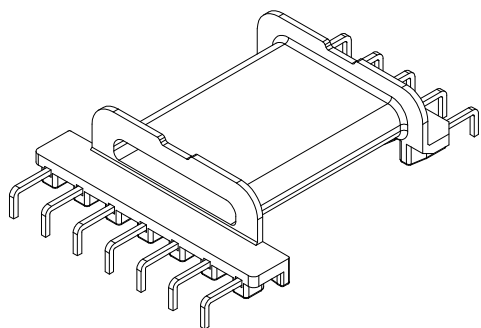
SECTION B-B



SECTION C-C



SECTION A-A



△								
△								
△								
△								
△								
MARK	REVISION NOTE				DATE	DRAWN	CHECKED	APPROVED
DRAWN	CHECKED	APPROVED	MATERIAL : PHENOL	UL REC. : UL94V-0	THIRD ANGLE PROJ.	SCALE : 1/1		
DS, Kim	HS, Lee	JB, Lim		DATE : 2010.10.18	TOLERANCE ±0.2 (Unless otherwise specified)	UNIT : m/m		
주식회사 대흥보빈 DAE HEUNG BOBBIN CO., LTD					TITLE EPC 4344 (12P) "H" (E)		DWG NO DH-101108-7052-07	